

HBSC2 CO2 LIQUID LEVEL SWITCH

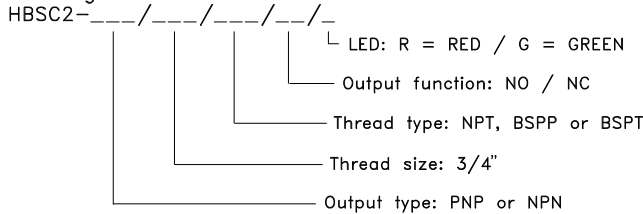
- * The HBSC2 CO2 LIQUID LEVEL SENSOR is a unique level switch, for industrial applications.
- * Operating according to the capacitive principle (improved).
- * Designed especially for use in CO2 systems for refrigeration applications.
- * Unaffected by LOW and HIGH PRESSURE, oil-foam, splashing or oil-coating.
- * HBSC2 SENSOR has a PNP or NPN digital ON/OFF output, load maximum 50mA.
- * Indicator = wet ON. LEDs changes from normal OFF to light constantly.
- * Output is standard Normal Open (NO). Option is Normal Close (NC)(Fail Safe).
- * Supply and Output is DC isolated from ground with a 500V capacitor.

- * Split design for easy test and replacing of the electronic part – without depressurization.
- * The sensor will detect both liquid CO2 and oil.

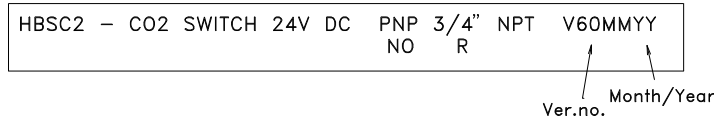
Note:

Switch delay, could be caused by gas in the system.
Positioning of the electronic part can easily be adjusted by the M5 hex fixing screws. (two)

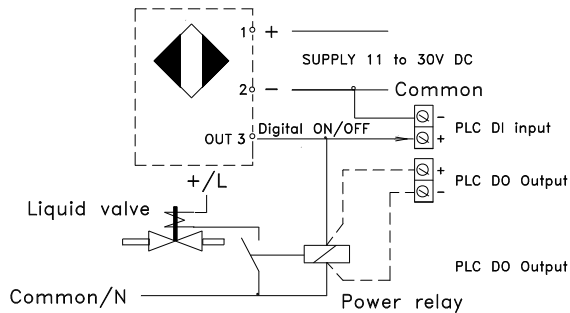
Ordering code:



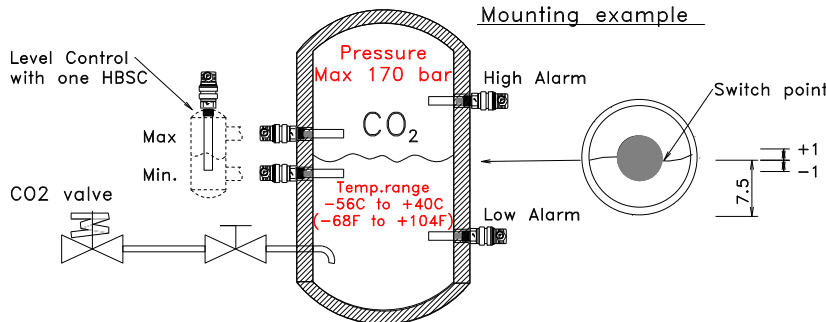
Label code (eg.):



Electrical Connection PNP



Mounting example



Accessories:

- HBPA Power Adaptor for switching solinoid valves.
- HBHE Heating Element for low temp.operation (below -30C/-22F)

History:

- 2009/10: Design modified and type changed to HBSC2
- 2010/01: Label code changed to correspond to ordering code

HBSC2/10.01/MK

